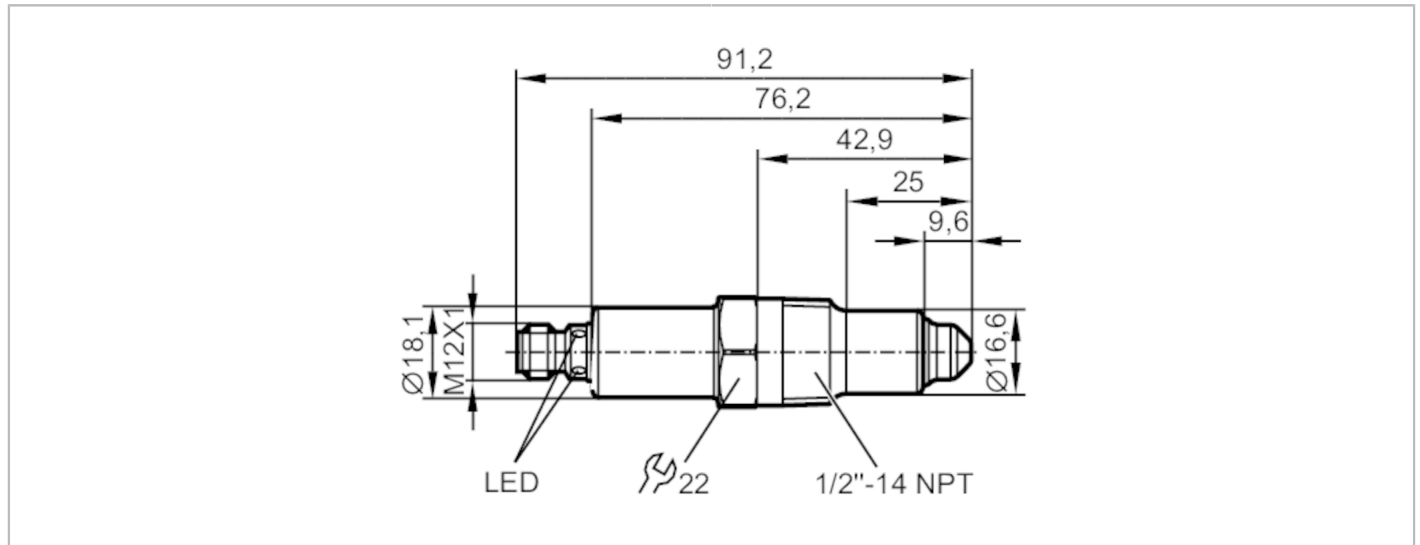


LMC500



Sensor for point level detection

LMFCE-N12E-QSKG-0/US



Product characteristics	
Number of inputs and outputs	Number of digital outputs: 2
Factory setting	water; hydrous media
Process connection	1/2" NPT
Application	
Special feature	Gold-plated contacts
Media	water; hydrous media; oils; oil-based media; coolants; powder
Cannot be used for	See the operating instructions, chapter "Function and features".
Medium temperature [°C]	-25...100
Probe length [mm]	25
Tank pressure	-1...40 bar -0.1...4 MPa
MAWP for applications according to CRN [bar]	40
Oil	
Medium temperature [°C]	-25...100
Electrical data	
Operating voltage [V]	18...30 DC
Current consumption [mA]	< 35
Protection class	III
Reverse polarity protection	yes
Inputs / outputs	
Number of inputs and outputs	Number of digital outputs: 2
Outputs	
Total number of outputs	2
Output signal	switching signal; IO-Link
Electrical design	PNP/NPN
Number of digital outputs	2
Output function	normally open / normally closed; (parameterisable)

LMC500



Sensor for point level detection

LMFCE-N12E-QSKG-0/US

Max. voltage drop switching output DC	[V]	2.5
Permanent current rating of switching output DC	[mA]	50; (100 (...60 °C))
Short-circuit protection		yes
Type of short-circuit protection		thermal, pulsed
Overload protection		yes

Measuring/setting range

Factory setting	water; hydrous media
-----------------	----------------------

Response times

Response time	[s]	< 0.5
---------------	-----	-------

Interfaces

Communication interface	IO-Link	
Transmission type	COM2 (38,4 kBaud)	
IO-Link revision	1.1	
SDCI standard	IEC 61131-9	
Profiles	Smart Sensor - SSP 0	Generic Profiled Sensor
	Function	Device identification
	Function	Process data variable
	Function	Device diagnosis
SIO mode	yes	
Required master port type	A	
Process data analogue	1	
Process data binary	2	
Min. process cycle time	[ms]	3.2
Supported DeviceIDs	Type of operation	DeviceID
	default	674

Operating conditions

Ambient temperature	[°C]	-25...85
Storage temperature	[°C]	-40...85
Protection	IP 68; IP 69K; (7 days / 1 m water depth / 0.1 bar: IP 68)	

Tests / approvals

EMC	DIN EN 61000-6-2	
	DIN EN 61000-6-3	: closed tanks
	DIN EN 61000-6-4	: open tanks
Shock resistance	DIN EN 60068-2-27	50 g (11 ms)
Vibration resistance	DIN EN 60068-2-6	20 g (10...2000 Hz)
MTTF	[years]	534
UL approval	UL approval no.	H005

Mechanical data

Weight	[g]	116
Dimensions	[mm]	Ø 18.11 / L = 76.2
Materials	stainless steel (316L/1.4404); PEEK; PEI; FKM	
Materials (wetted parts)	stainless steel (316L/1.4404); PEEK; FKM	
Process connection	1/2" NPT	

LMC500



Sensor for point level detection

LMFCE-N12E-QSKG-0/US

Displays / operating elements

Display	switching status	LED, yellow
	operating status	LED, green

Remarks

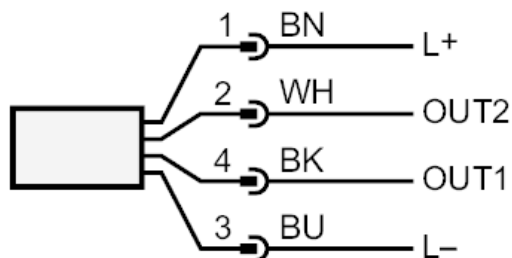
Pack quantity	1 pcs.
---------------	--------

Electrical connection

Connector: 1 x M12; coding: A; Contacts: gold-plated



Connection



OUT1: switching output IO-Link
OUT2: switching output
colours to DIN EN 60947-5-2

Core colours :

BK = black
BN = brown
BU = blue
WH = white