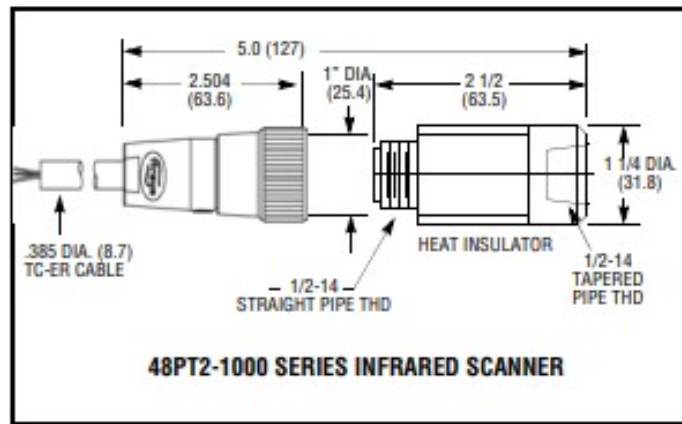


PRODUCT INFORMATION

FIREYE 48PT2-1007 INFRARED SCANNER, 4FT STRAIGHT HEAD, D-SERIES, FLAME MONITOR

Item # 4262154

The 48PT2 lead sulfide infrared scanner contains a low impedance detector and is designed to detect low flicker frequency IR signals from gas and oil flames. It is designed for use on D-Series, FlameMonitor, FlameWorx, MicroM and Burnerlogix controls. The mounting collar is 1/2" NPT with straight or 90 mounts.



NELSON JAMESON
INC.